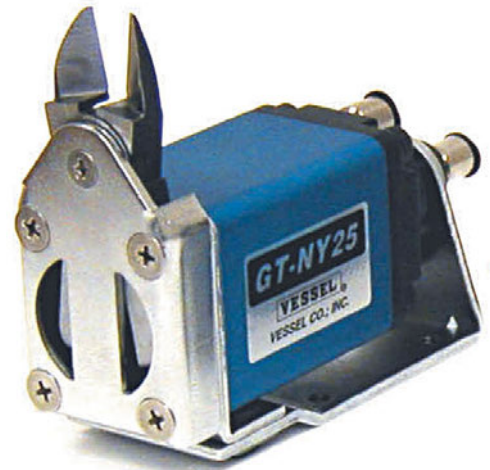


NY25 – Sliding Nippers

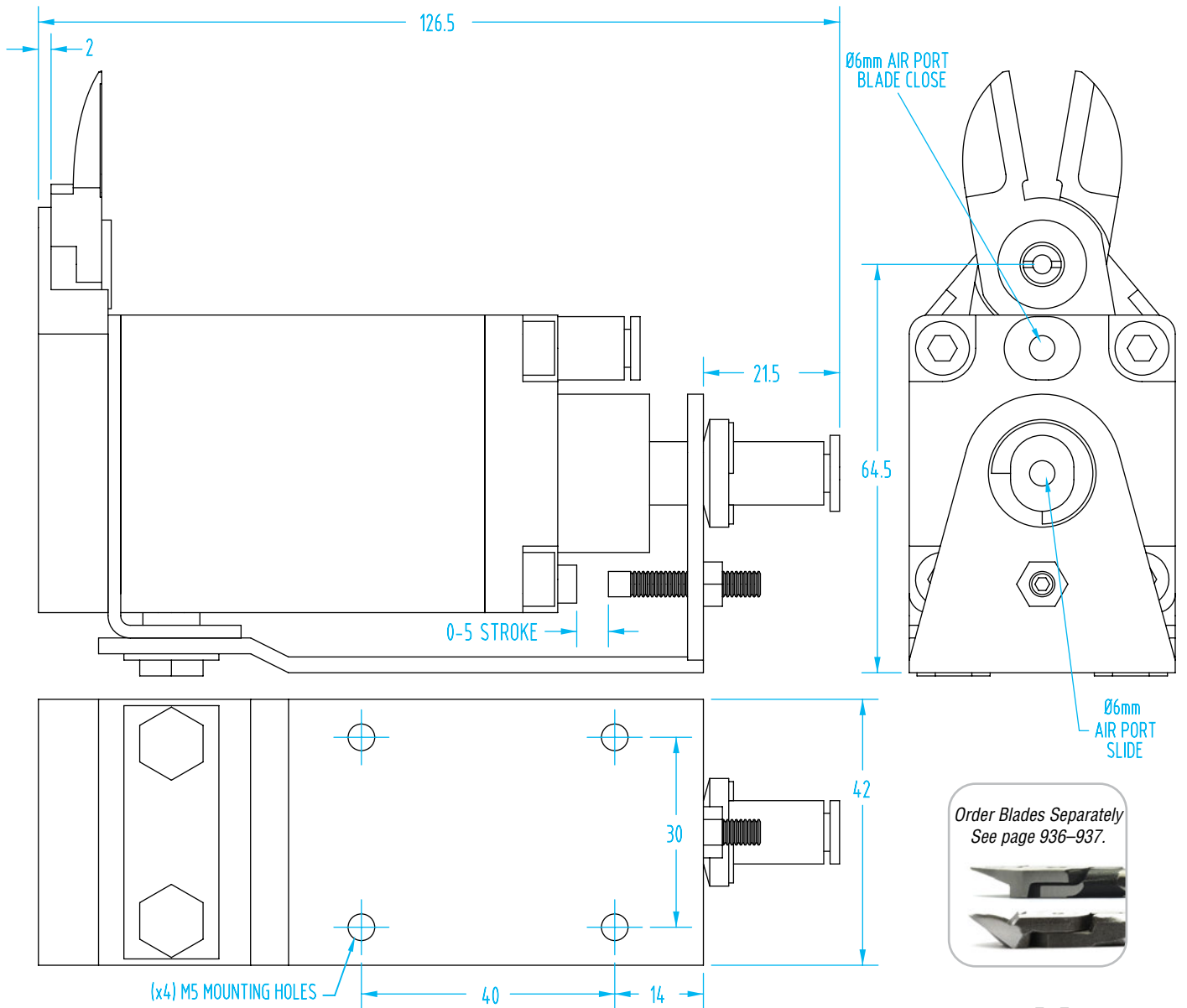
(Dimensioned drawings shown full scale)



NY25 - Sliding Nipper

Quick#	Part#	Price	Reference Model	Weight	Air Cons. Cm ³ /stroke	Sup. Air Pressure	Slide Stroke (mm)	Max. Cutting Cap. Ø (mm)	
								Soft Plastic	Hard Plastic
630	GSN-NY25-6	\$403.00	GT-NY25-6	580g	184	73–87psi	Pull	0–5	5.0 / 3.4
691	GSN-NY25R-6	\$403.00	GT-NY25R-6	580g	184	73–87psi	Push	0–5	5.0 / 3.4

All fittings supplied.



Order Blades Separately
See page 936–937.